

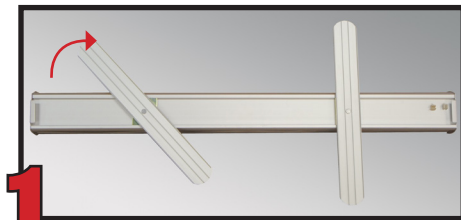
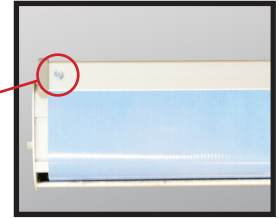
Roll Up Banners

Setup Instructions and Hardware Construction

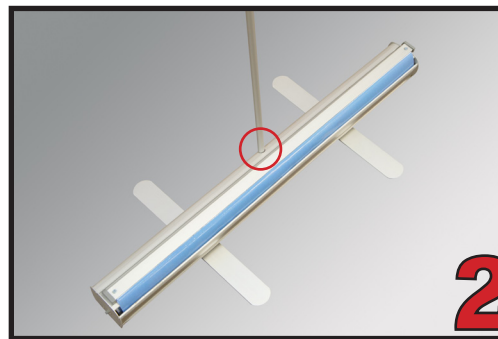


All of the Colorado Timberline Roll Up Banners are printed on our high quality 13 ounce vinyl. They are then assembled into heavy duty aluminum hardware with dependable retracting mechanics making for good looks as well as long life.

To assure that the top clamp secures the banner permanently, we have placed two 1/2" self tapping screws that firmly hold the banner in the clamp.



1 Turn feet on base 90°.

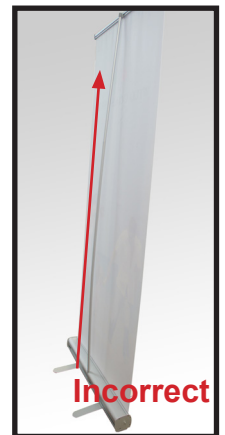


2 Insert pole into base completely. *Banner may not stand straight if this is not correct.

Top of pole



Bottom



Incorrect

Retracting Your Roll Up Banner

When retracting your banner, please slowly retract vertically assuring that the banner retracts in the center of the stand. If the banner is allowed to retract at an angle the banner will pinch and not retract at all. If this does occur, pull the banner up and retract again vertically and evenly until it is totally retracted.



3 Hold pole and base securely and roll out banner to the top of the pole.



4 Insert top of pole into receiving slot in banner clamp.